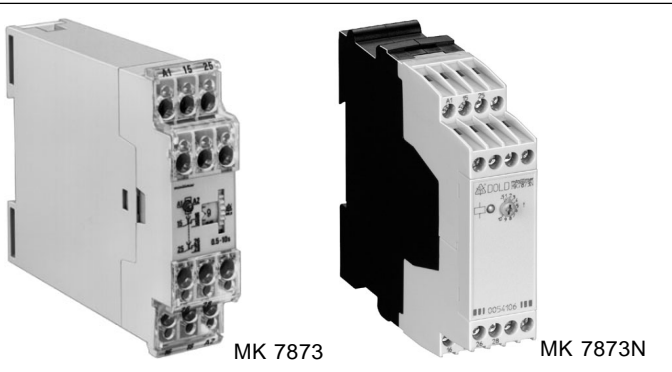


Time control technique



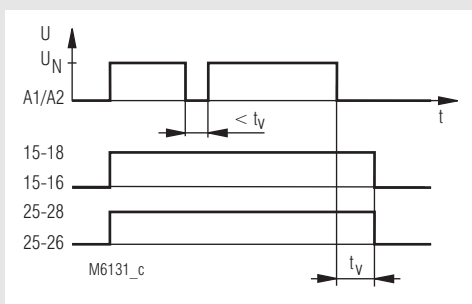
Timer MK 7873, MK 7873N release delayed minitimer

0221578



- According to EN 61 812-1
- Delay up to 300 s
- Repeat accuracy $\leq \pm 0,5 \%$
- Without auxiliary voltage
- No recovery time
- With large voltage range AC/DC 24 ... 240 V
- LED display for power supply
- 2 changeover contacts
- Width 22,5 mm

Function diagram



Approvals and marking



Applications

Time-dependent controllers

Indicators

LED: on, when supply connected

Technical data

Time circuit

Time ranges:	0,05 ... 1 s	0,15 ... 3 s
	0,5 ... 10 s	1,5 ... 30 s
	5 ... 100 s	15 ... 300 s

Time setting: stepless

Minimum switch-on time of the control input

for DC 24 V: 150 ms
for UC 220 V: 25 ms

Recovery time

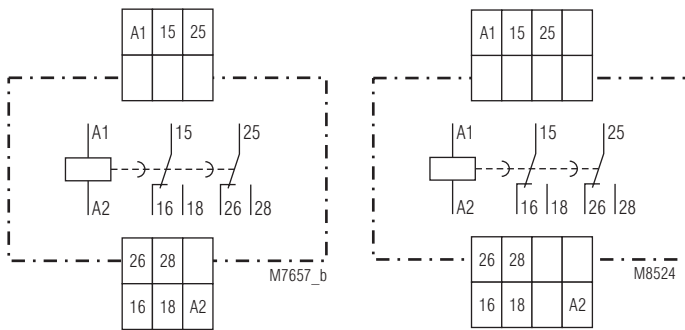
tw 50 / 100: 0

Repeat accuracy: $\leq \pm 0,5 \%$ of set value

Voltage influence: $\leq 0,5 \%$

Temperature influence: $< 0,2 \%$ / K

Circuit diagram



MK 7873.82

MK 7873N.82

Input

Nominal voltage U_N : AC/DC 24 ... 240 V
Voltage range: AC 19,2 ... 264 V
DC 21,6 ... 300 V

Nominal consumption

Effective power: 0,8 W

Frequency range: 45 ... 400 Hz

Release voltage: 10 V

Output

Contacts

MK 7873.82, MK7873N.82: 2 delayed changeover contacts

Thermal current I_{th} : 5 A

Switching capacity

to AC 15

NO contact: 3 A / AC 230 V EN 60 947-5-1

NC contact: 1 A / AC 230 V EN 60 947-5-1

Electrical life EN 60 947-5-1

to AC 15 at 3 A, AC 230 V: 8×10^5 switching cycles

Permissible operating frequency:

for time ranges ≤ 10 s: 1 400 switching cycles / h

for time ranges ≥ 30 s: 700 switching cycles / h

Technical data

Short circuit strength

max. fuse rating: 6 A gL EN 60 947-5-1
Mechanical life: 30 x 10⁶ switching cycles

General data

Operating mode: Continuous operation

Temperature range: - 20 ... + 60°C

Clearance and creepage distances

overvoltage category /
contamination level: 4 kV / 3 IEC 60 664-1

EMC

Electrostatic discharge: 4 kV (air) EN 61 000-4-2

Fast transients 2 kV EN 61 000-4-4

Surge voltages

between

wires for power supply: 1 kV EN 61 000-4-5

between wire and ground: 2 kV EN 61 000-4-5

Interference suppression: Limit value class B EN 55 011

Degree of protection: Housing: IP 40 EN 60 529

Terminals: IP 20 EN 60 529

Housing: Thermoplastic with V0 behaviour

according to UL subject 94

Vibration resistance: Amplitude 0,35 mm,

frequency 10 ... 55 Hz, EN 60 068-2-6

Climate resistance: 20 / 060 / 04 EN 60 068-1

Terminal designation: EN 50 005

Wire connection: 2 x 1,5 mm² solid or

2 x 1,0 mm² stranded wire with sleeve

DIN 46 228-1/-2/-3/-4

Wire fixing:

MK 7873: Flat terminals with self-lifting
clamping piece EN 60 999

MK 7873N: Box terminals with wire protection

Mounting: DIN rail EN 50 022

Weight: 132 g

Dimensions

Width x height x depth:

MK 7873: 22,5 x 82 x 99 mm

MK 7873N: 22,5 x 90 x 97 mm

Standard type

MK 7873.82 AC/DC 24 ... 240 V 1,5 ... 30 s

Article number: 0036305

• Output: 2 changeover contacts

• Nominal voltage U_N: AC/DC 24 ... 240 V

• Time range: 1,5 ... 30 s

• Width: 22,5 mm

MK 7873N.82 AC/DC 24 ... 240V 1,5 ... 30 s

Article number: 0054462

• Output: 2 changeover contacts

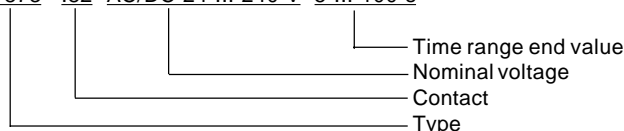
• Nominal voltage U_N: AC/DC 24 ... 240 V

• Time range: 1,5 ... 30 s

• Width: 22,5 mm

Ordering example

MK 7873 .82 AC/DC 24 ... 240 V 5 ... 100 s



Accessories

ET 4752-143: Marking plate